

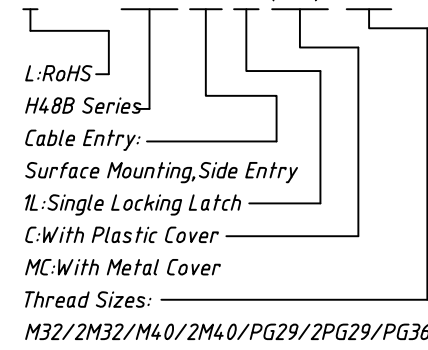
RoHS Compliance

| REV | SYM      | Revision Record     | Appr. | Date       |
|-----|----------|---------------------|-------|------------|
| V0  | KLS01695 | New Version Release | WuHao | 2025-07-05 |

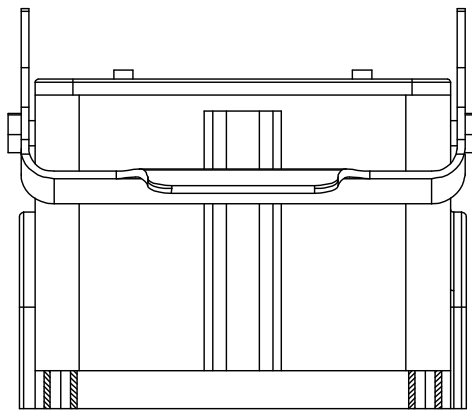
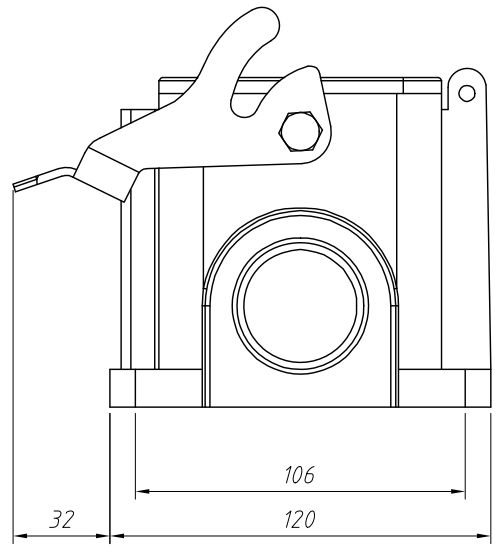
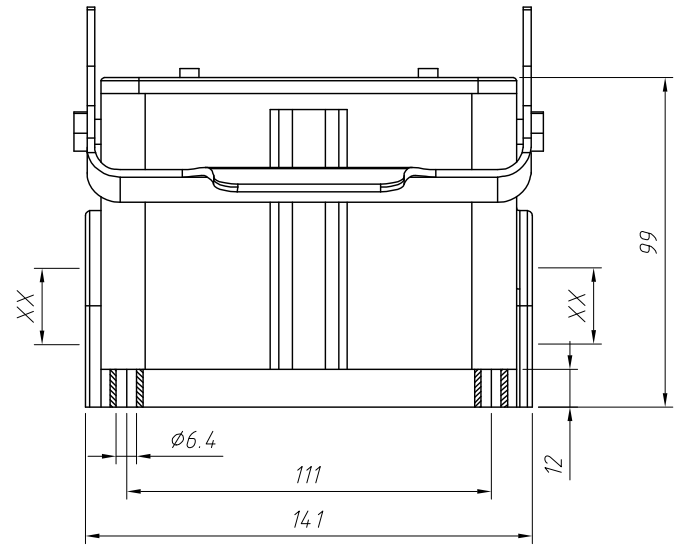
Material:  
 Housing: Aluminium Die-Cast, UL 94 V-0  
 Surface: Powder-Coated  
 Colour: RAL 7037 (Grey)  
 Temperatures range: -40°C ~ +125°C  
 Degree of protection: IP65  
 (Acc. to IEC 60529 for coupled Connector)  
 Locking Element:  
 Locking Type: Single Locking Latch  
 Material: Stainless Steel + TPR  
 Hoods/Housings Sealing: NBR  
 Cable Entry: Side Entry  
 No. of Cable Entries: 1/2

Order Information:

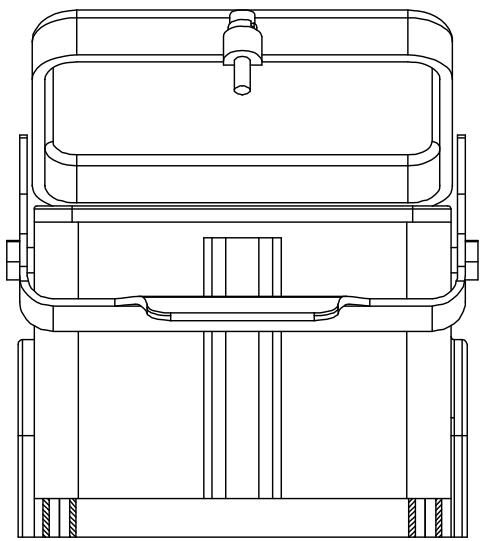
L-KLS1-H48B-SF-1L (XX) -XX



| ITEM                   | Describe           |
|------------------------|--------------------|
| L-KLS1-H48B-SF-1L-XX   | Without cover      |
| L-KLS1-H48B-SF-1LC-XX  | With Plastic cover |
| L-KLS1-H48B-SF-1LMC-XX | With Metal cover   |



Without cover



With Metal / Plastic cover

| ANGLE TOLERANCE   | PROJECTION | Description:   |
|-------------------|------------|--|
| ±3°               |            | Heavy Duty Connectors<br>Surface Mounting, Side Entry, H48B Series Hoods |
| GENERAL TOLERANCE | UNITS      | mm   |
| x.x ±0.30         | SHEET SIZE | A4   |
| x.xx ±0.20        | Draw:      | WuHao 2025-07-05   |
| x.xxx ±0.10       | Check:     | Daniel 2025-07-05  |



NingBo KLS ELECTRONIC CO.,L.TD.